



ECOLAB

Model number

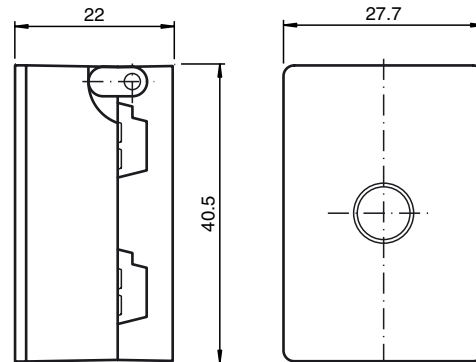
VAZ-2FK-G10-BRIDGE

Splitter box G10, flat cable to flat cable

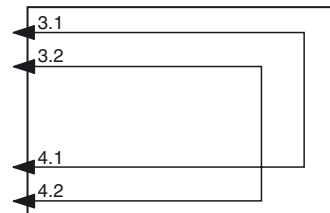
Features

- One piece housing
- Simple and fast mounting
- High current rating
- Gold-plated and machined contacts
- Degree of protection IP68 / IP69K

Dimensions



Electrical connection



Technical data

General specifications

Construction type	Flat cable terminals
UL File Number	E223772 "For use in NFPA 79 Applications only"

Electrical specifications

Rated operating voltage	U_e	≤ 32 V PELV
Rated operating current	I_e	≤ 8 A
Protection class		III
Current loading capacity		12 A with a wire cross section of 2.5 mm ²
Surge protection		overvoltage category III

Ambient conditions

Ambient temperature	-25 ... 75 °C (-13 ... 167 °F)
Storage temperature	-25 ... 85 °C (-13 ... 185 °F)
Pollution Degree	3

Mechanical specifications

Degree of protection	IP67 IP67 / IP68 / IP69K with flat cable VAZ-FK-S*
Connection	Flat cable: cable piercing method
Material	
Contacts	CuSn / Au
Housing	PBT PC
Mounting screw	Stainless steel 1.4305 / AISI 303
Mass	40 g
Tightening torque, fastening screws	1.65 Nm

Compliance with standards and directives

Standard conformity	
Degree of protection	EN 60529:2000

Approvals and certificates

UL approval	cULus Listed, Type 1 enclosure
-------------	--------------------------------

Notes**Mounting instructions**

You may screw the device onto a level mounting surface using two M4 attachment screws. The attachment screws are not included.

